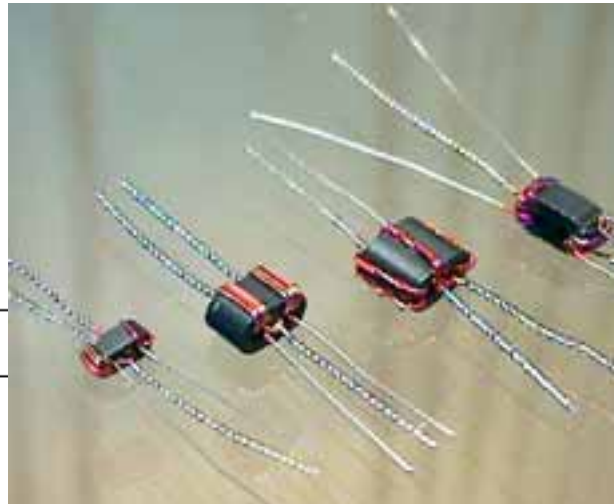
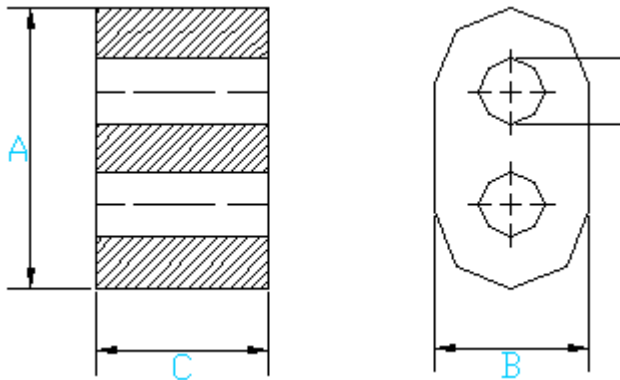


Balun Coils

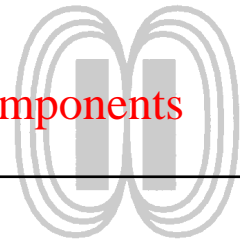
- No Standard winding method
- Customer Design is welcome
- Use 2UEW wire

SHAPE



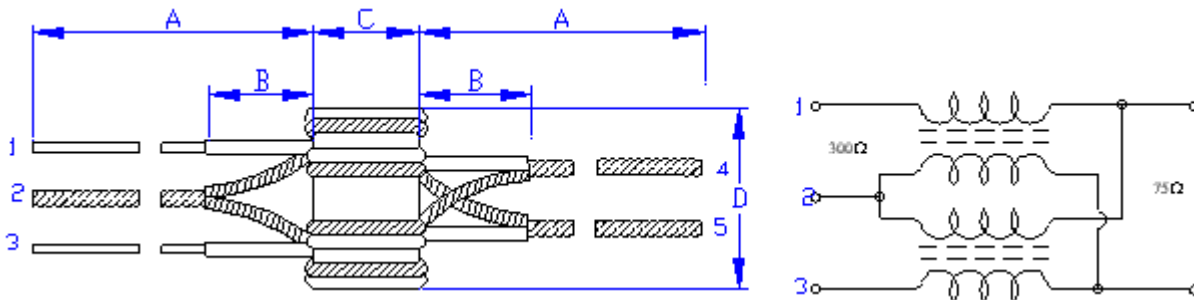
Dimension

A	B	C	D
3.50-15.00	2.00-8.00	2.50-7.00	1.00-5.00

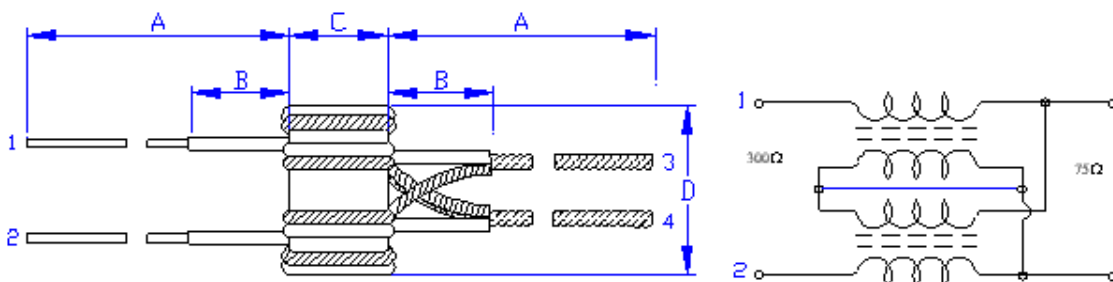


Balun Coil With PP2W Wire

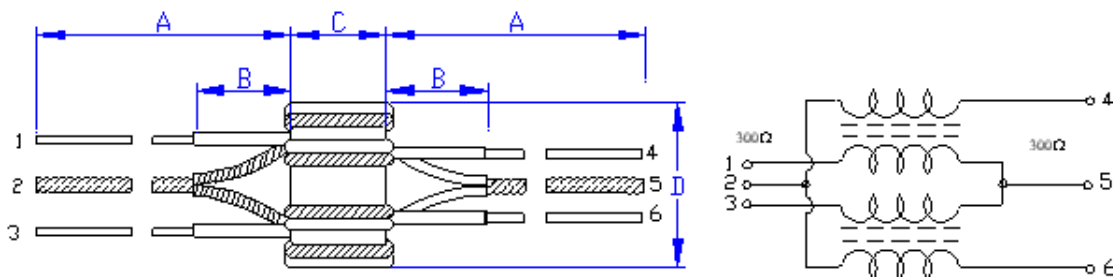
(A)

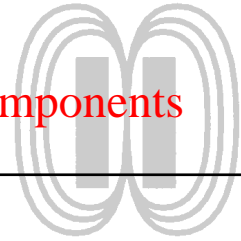


(B)

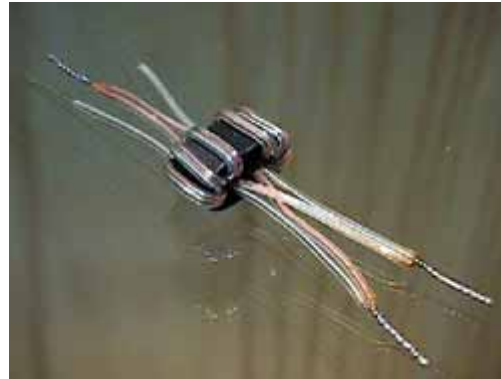


(C)





RID CORE WINDING WITH
PP2W WIRE Ø0.32m/m OR
Ø0.4m/m



SIZE (mm)			
A	B	C	D
30±3	10±2	7.0	15.0
30±3	10±2	14.0	15.0

Insertion Loss 1.5dB Max. (40MHz - 220MHz)
V.S.W.R.:2.0MAX. (40MHz-220MHz)

*No standard specification, customer design is welcome
Please submit inquires with full specification / drawing*